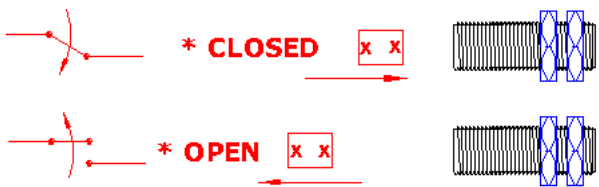


M12-RS2-OPT21 - Reed Switch

SPST Reed Switch, 27-33 AT sensitivity, RS normally open output, Plastic 12x1mm x 35mm housing, free end Teflon 22AWG wires, 1 foot

Magnet Present: Switch *Closed
Magnet Absent: Switch *Open
Either Pole



* -OP OPTION CLOSSES WITH MAGNET.
 * -CL OPTION OPENS WITH MAGNET.

Type - RS

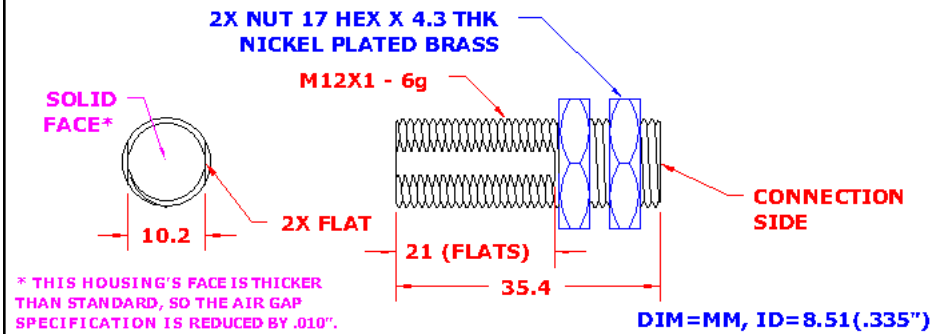
- o PASSIVE (NO POWER REQUIRED)
- o NORMALLY OPEN SWITCH ONLY
- o RATED TO: 200 V DC, 1.5 A, 50W
- o HIGHER POWER OPTION
- o LOWER SENSITIVITY IGNORES WEAK FIELDS

ENVIRONMENTAL SPECIFICATIONS - M12	
Corrosion Resistance	500 hours salt spray ASTM B-117
Installation Torque	18 Inch-Pounds Maximum
Enclosure	Nema 1,3,4,6,13 & IEC IP67
Vibration	10 G's 2 to 2000 Hz Sinusoidal
Mechanical Shock	100 G's, 11 ms Half-Sine

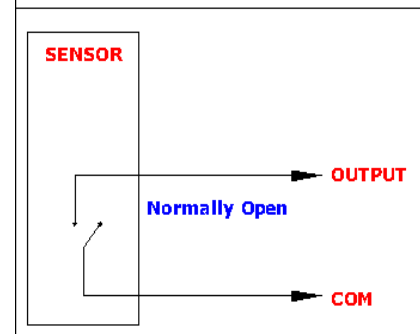
M12, Plastic 12mm x 35mm Long Housing

Rev C

MATERIAL: GLASS FILLED NYLON (+150°C)



OP, REED SWITCH CURRENT SINKING

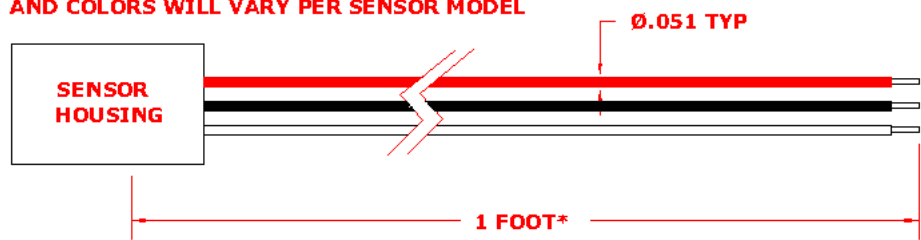


T21, Free End Teflon 22AWG Wires

FREE END WIRE LEADS

22 AWG, TEFLON 200°C, 19/34
 3 WIRES SHOWN. THE NUMBER OF WIRES AND COLORS WILL VARY PER SENSOR MODEL

*OTHER STANDARD LENGTHS:
 3", 6", 2', 5', 10', AND 20'



Rev A

DIM=INCH

Connections Chart

White	NC or NO
Black	Common
T21-RS2	

Date Code 'YYM'

YY = YEAR, M = MONTH

A JAN	D APR	H JUL	L OCT
B FEB	E MAY	J AUG	M NOV
C MAR	G JUN	K SEP	N DEC

The RS2 Reed Switch sensor is a normally open passive switch that closes when a magnetic field is introduced and allows current to flow through the switch. Contact life is dependent on the load (= current * voltage). Exceeding this load will cause the sensor to fail. The RS2 is a sensitive Reed switch that operates at 27-33 AT. RS2 switches are rated at 200V DC*, 1.5A, 50W.

In addition to the RS2, we offer several other Normally Open reed switch options as well as the RSDT, which is also available as a Normally Closed Reed Switch:

- RS1 switches operate at 10-15 AT and are rated at 200V AC or DC. 500mA, 10W
- RS3 switches operate at 47-68 AT and are rated at 400V DC*, 3A, 100W
- RS4 switches operate at 5-15 AT and are rated at 175V DC*, .35A, 5W
- RSDT switches operate at 15-25 AT and are rated at 175V AC or DC, 250mA, 5W
- * Contact us for AC ratings of the RS2,RS3, & RS4

All RS sensors are specified to operate at a specific AT value, and to release at another. Lower AT values indicate increased sensitivity. Check our website or contact us to see all of our reed switch options.

RS2-OP, Electrical & Functional Specifications

ABSOLUTE MAX LIMITS	MIN	MAX	UNITS
Absolute Max Power (current * voltage)		50	Watts
Switching Voltage, Resistive		200	Volts DC
Switching Current, Resistive		1.5	Amps DC
Carry Current, Resistive		3.0	Amps DC
Switching Frequency		250	Hz
Life Expectancy, 100VDC & 250mA DC		20	Million Ops
Life Expectancy, 100VDC & 500mA DC		1	Million Ops

ELECTRICAL SPECS @25C	CONDITIONS	MIN	MAX	UNITS
Temperature Range	Operating	-40	+110	Deg C
Static Contact Resistance	1 VDC, 10 mA DC	--	0.10	Ohms
Operate Point @25C	Either Pole	27	33	AT
Release Point @25C	Either Pole	9	21	AT
Operate Time, incl. bounce	Including Bounce	--	0.75	mS
Release Time	diode suppression	--	0.3	mS
Capacitance	typical	--	.2	pF
Insulation Resistance	Contact Open	100	--	Meg Ohm

QUALIFICATION DATA	MIN	TYP	MAX	UNITS
Shock, 11mS 1/2 sine wave	--	--	100	G
Vibration, 50-2000 Hz	--	--	30	G
Resonant Frequency		2.1		k Hz

Rev B

**CHARACTERISTIC-OPTION
MARKED ON THIS SURFACE
XX = ELECTRICAL OPTION**

**DATE CODE,
THIS SURFACE**

**NO ORIENTATION
REQUIRED**

**AIR
GAP**

**MAGNET
(E = N OR
S POLE)**

E E

