

MCS-CA7-SI5

CA7 Mating Cable Set, Female 3 pin with shielded 5 wire 22AWG 80C PVC, 5 ft
- Mates to Amphenol PT02A-10-6P

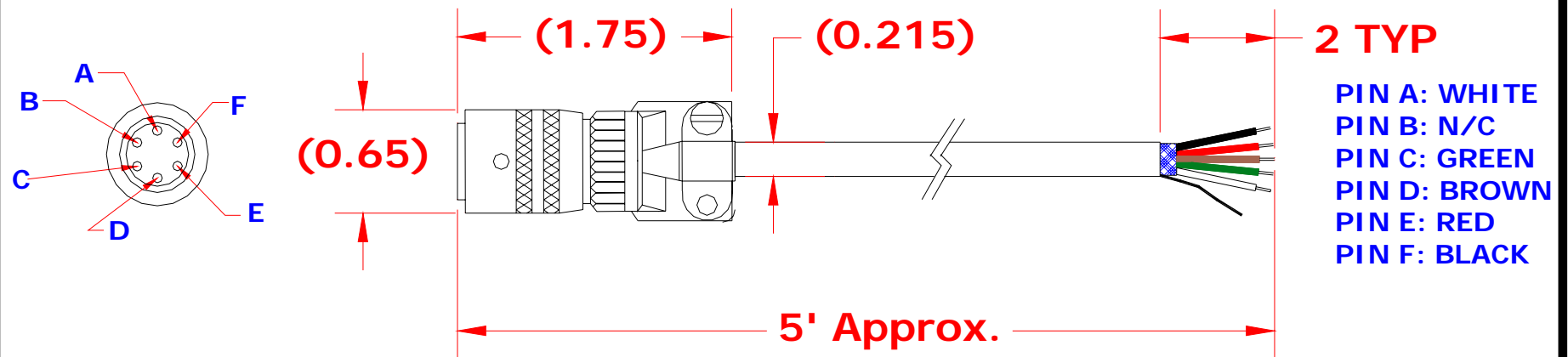
CA7-SI5, 6 Pin Female MS Twist Lock Connector w/5' Shielded Cable

CONNECTOR: AMPHENOL PT06A-10-6S(SR) 6 PIN FEMALE
SHIELDED CABLE: 5 WIRE, 22AWG PVC 80°C

FEATURES

- *MIL-C-26482 Series 1 Qualified
- *Neoprene Gaskets

*** ADDITIONAL LENGTHS AVAILABLE ***
10', 20', 50', & 100' - CALL FOR PRICING



Rev A

MATES WITH CA7 SENSORS

DIM=INCH