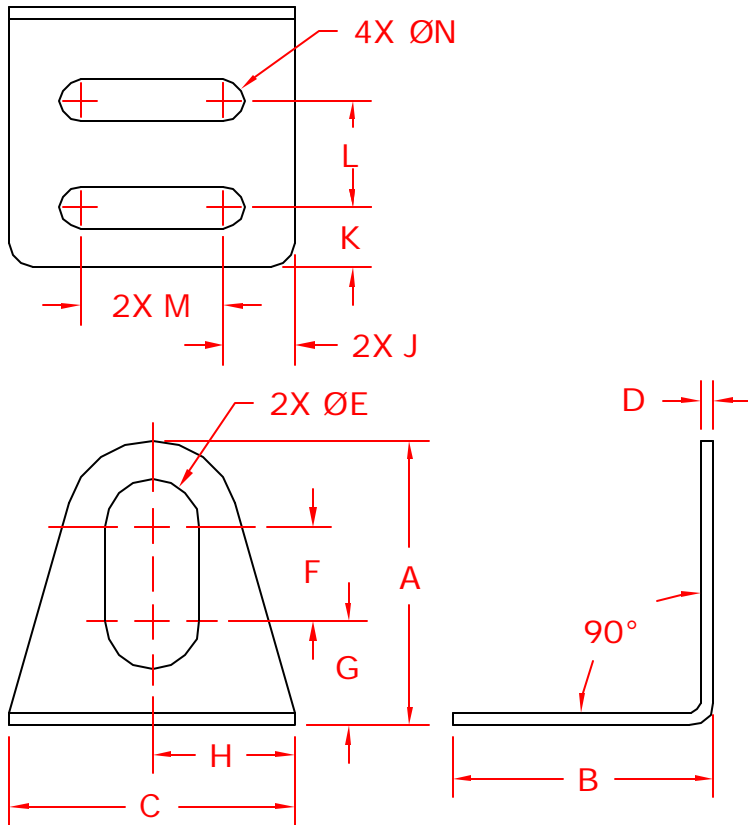


RAB-XXX SENSOR MOUNTING BRACKETS PRODUCT SPECIFICATION

SENSOR SOLUTIONS CORP.
 2670 COPPER RIDGE CIRCLE #21
 STEAMBOAT SPRINGS, CO 80487
 (970) 879-9900 (MAIN)
 (970) 879-9700 (FAX)
 WWW.SENSORSO.COM



NOTES:

1. ALL DIMENSIONS ARE NOMINAL
2. MATERIAL: ZINC-PLATED COLD-ROLLED STEEL
3. CONSULT FACTORY FOR OPTIONAL STAINLESS

STEEL MATERIAL OR ADDITIONAL SIZES

PART NO	A	B	C	D	E	F	G	H	J	K	L	M	N	UNITS
RAB-8	25.4	31.8	31.8	1.78	8.10	7.62	9.83	15.9	7.9	7.14	11.9	15.9	5.54	MM
RAB-12	38.1	34.8	38.1	1.78	12.1	12.7	14.0	19.1	9.5	7.92	14.3	19.1	5.54	MM
RAB-18	50.8	34.8	44.5	1.78	18.1	15.9	19.1	22.2	9.5	7.92	14.3	25.4	5.54	MM
RAB-75	2.00	1.37	1.75	.070	.760	.625	.750	.875	.375	.312	.563	1.00	.218	INCH