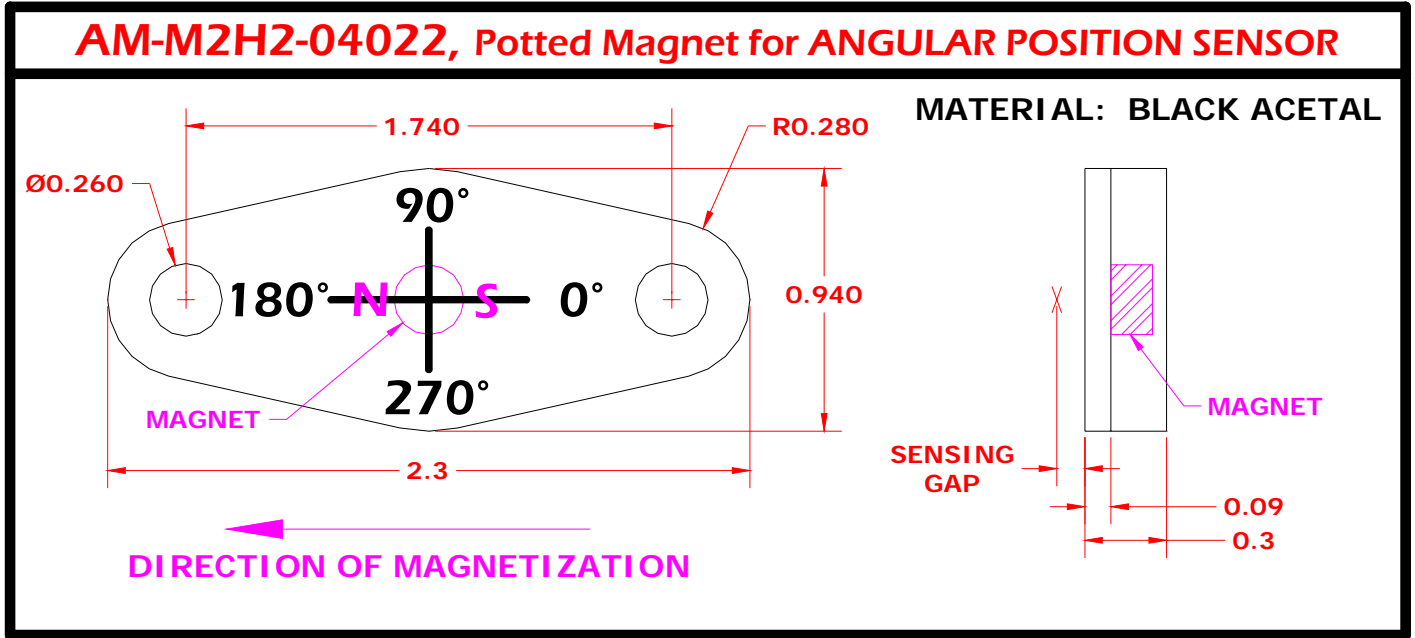
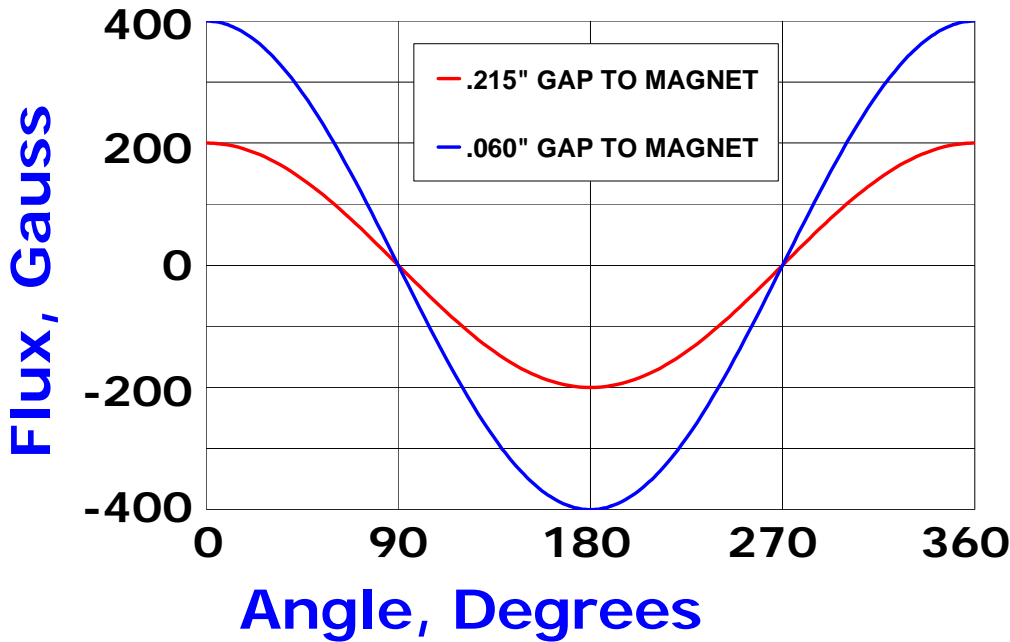


AM-M2H2-04022 Angle Position Sensor Magnet, M2H2 Angular Position Magnet Housing, 2.3" x .94" with 2 mounting holes



Flux (Gauss) vs. Angle



The raw magnet produces 400 Gauss at .060", 200 Gauss at .215". Using this housing, operate the APSV sensor using a sensing gap from .000" to .125"

Part numbers starting in "AM" are potted radial magnetized magnets. The part number is AM-HHHH-MMMMM where HHHH is the Housing code and MMMMM is the part number of the magnet. For raw magnets (no housing, the part number is 300-04-MMMMM.

These magnets, when paired with Sensor Solutions Angular Position Sensors will provide an analog output that can be used to resolve the rotation angle between the sensor and the target.

Additional housing shapes and magnet sizes are available. Contact our Sales or Engineering department to discuss your options.